



GOES-R Lithium-Ion Battery Life Test & Workhorse Battery Performance

NASA Aerospace Battery Workshop

2018 November 27-29, Huntsville AL

Jon Tucker &
Robert Bauer,
Lockheed Martin Space

Joseph Springer &
Leonine Lee,
NASA Goddard

Chengsong Ma
Saft Space & Defense

Jon.R.Tucker@lmco.com

Joseph.J.Springer@nasa.gov

Chengsong.Ma@saftamerica.com

*Jon Tucker
2018 NASA Aerospace Battery Workshop
Huntsville, AL
Nov. 27-29, 2018*

Outline



LOCKHEED MARTIN 

- **Overview**
- **Life Test Battery Description**
- **Spacecraft, Electrical Power Subsystem Overview**
- **Battery Charge Control and State of Charge Profile**
- **Life Test Description**
- **Life Test Capacity Results**
- **Workhorse Battery Characteristics**
- **Workhorse Battery Performance Summary**
- **VL48E Cell Characteristics and Battery Performance**
- **Conclusions**

Overview



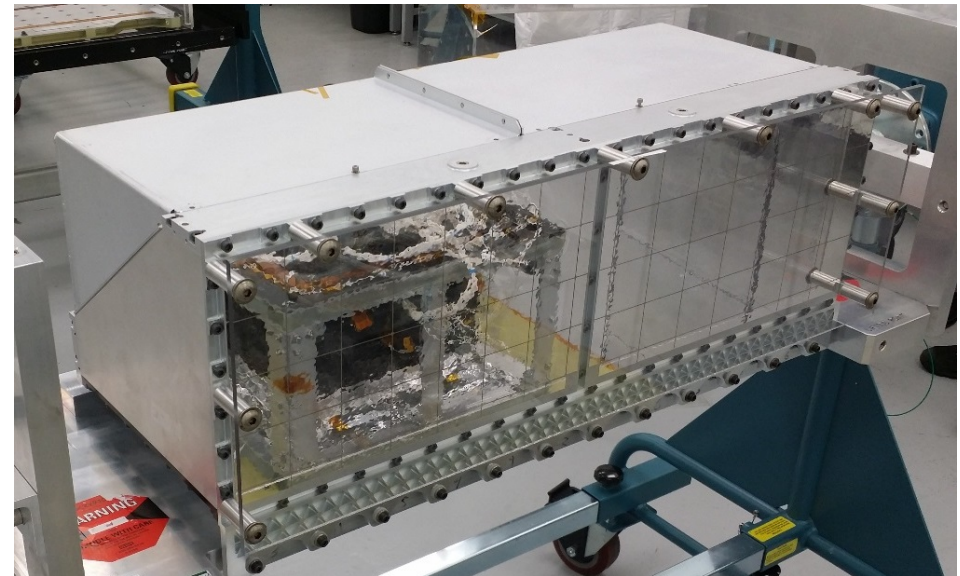
LOCKHEED MARTIN 

- **Lockheed Martin is under contract to NASA Goddard to design and build four GOES-R series satellites to be operated by NOAA.**
 - **GOES-R is the next-generation geostationary NOAA weather satellite**
 - **<https://www.goes-r.gov/>**
- **Saft's Space & Defense Division provides the VL48E cells and the GOES-R series lithium-ion batteries to Lockheed Martin.**
- **GOES-R series battery life testing is in process at Lockheed Martin.**
- **20 accelerated GEO seasons have been completed.**
 - **20 seasons represents 10 years of on-orbit operation.**
- **A GOES-R series qualification & I&T workhorse battery were built and supported spacecraft-level testing since 2014.**
- **The GOES-R series life test battery and workhorse batteries' performance will be presented.**



Life Test Battery Characteristics

- Battery designed and manufactured by Saft in Cockeysville, Maryland.
- Life test battery built to flight drawings and processes.
 - Battery acceptance test performed 2014 Feb - Jun
- VL48E cells
 - Rated capacity (C_r) = 45.4 Ah at 20° C
 - C_r = required BOL capacity from 4.1 V to 3.0 V at $C_r/2hr$
 - Cells formed in 2011 Mar
- Electrical Configuration
 - 3 cells in parallel to form a cell bank
 - 12 cell banks in series to form a battery
 - Balancing circuits under FSW control apply current as needed to individual cell banks
 - Nameplate capacity (C_{bn}) = 113.5 Ah
 - Rated capacity (C_{br}) = 136.2 Ah at 20° C
- Mechanical configuration
 - 3 cells in a module; 12 modules in a battery
 - Thermistors, heaters, and radiator for thermal control
 - Isolated aluminum housing to protect against shorts and to enclose possible cell failures

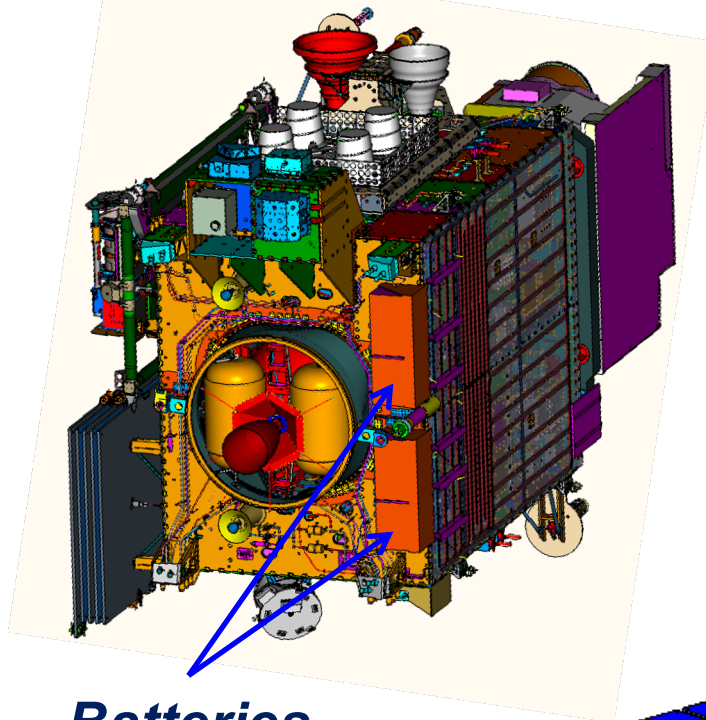


Fully Assembled Battery
(with non-flight radiator shield attached)



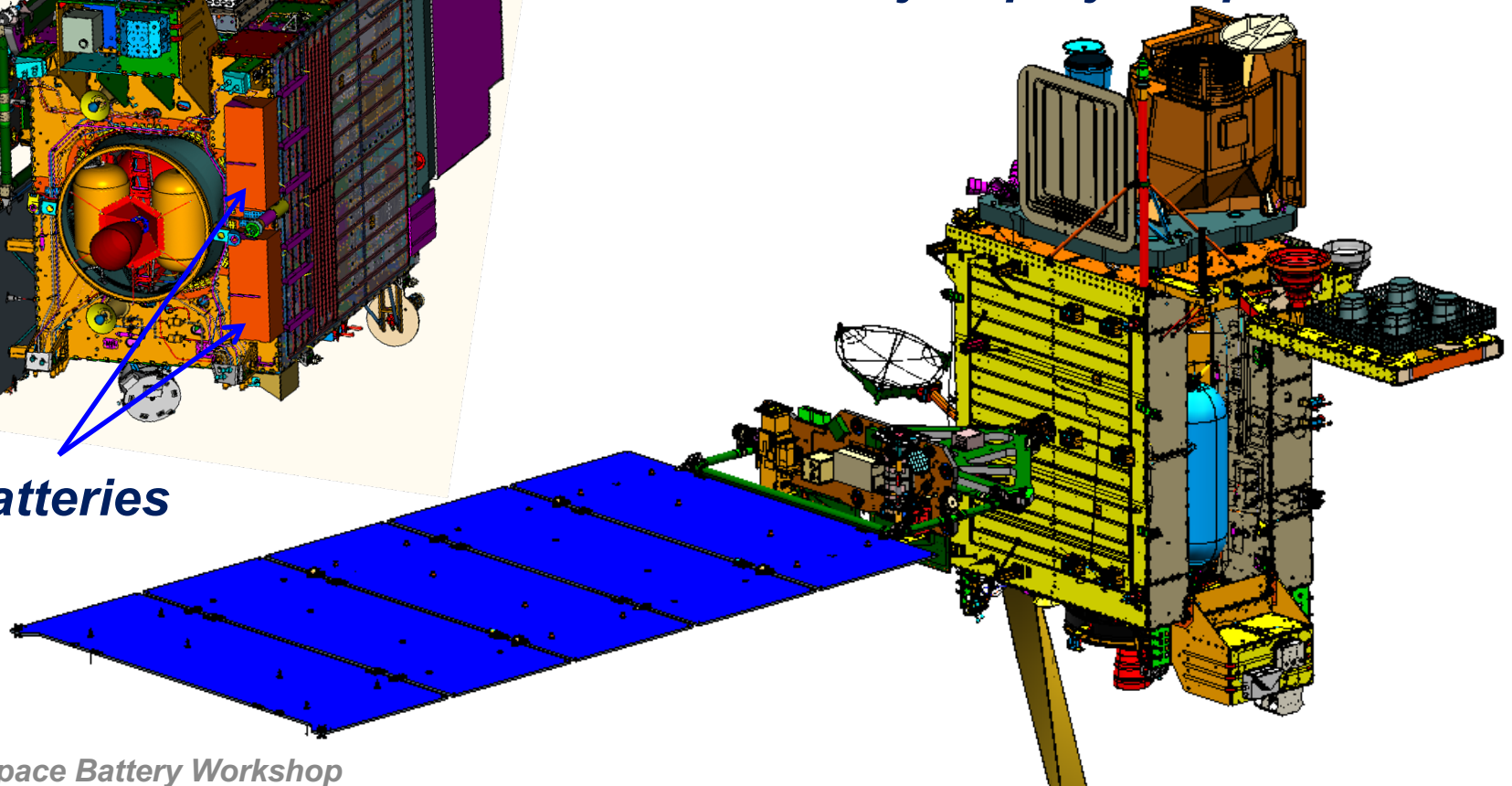
Battery Locations

Stowed Spacecraft

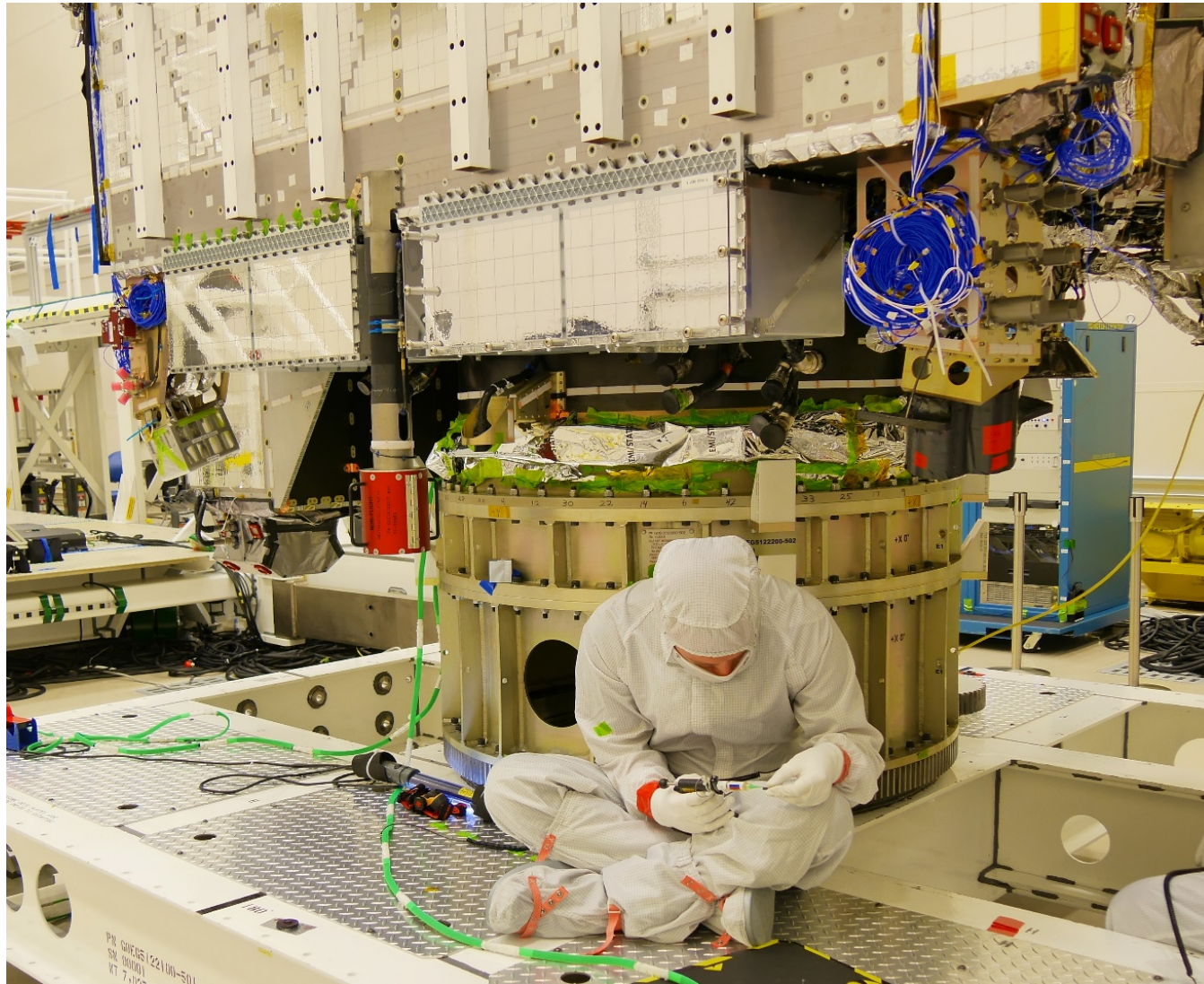


Batteries

Fully Deployed Spacecraft

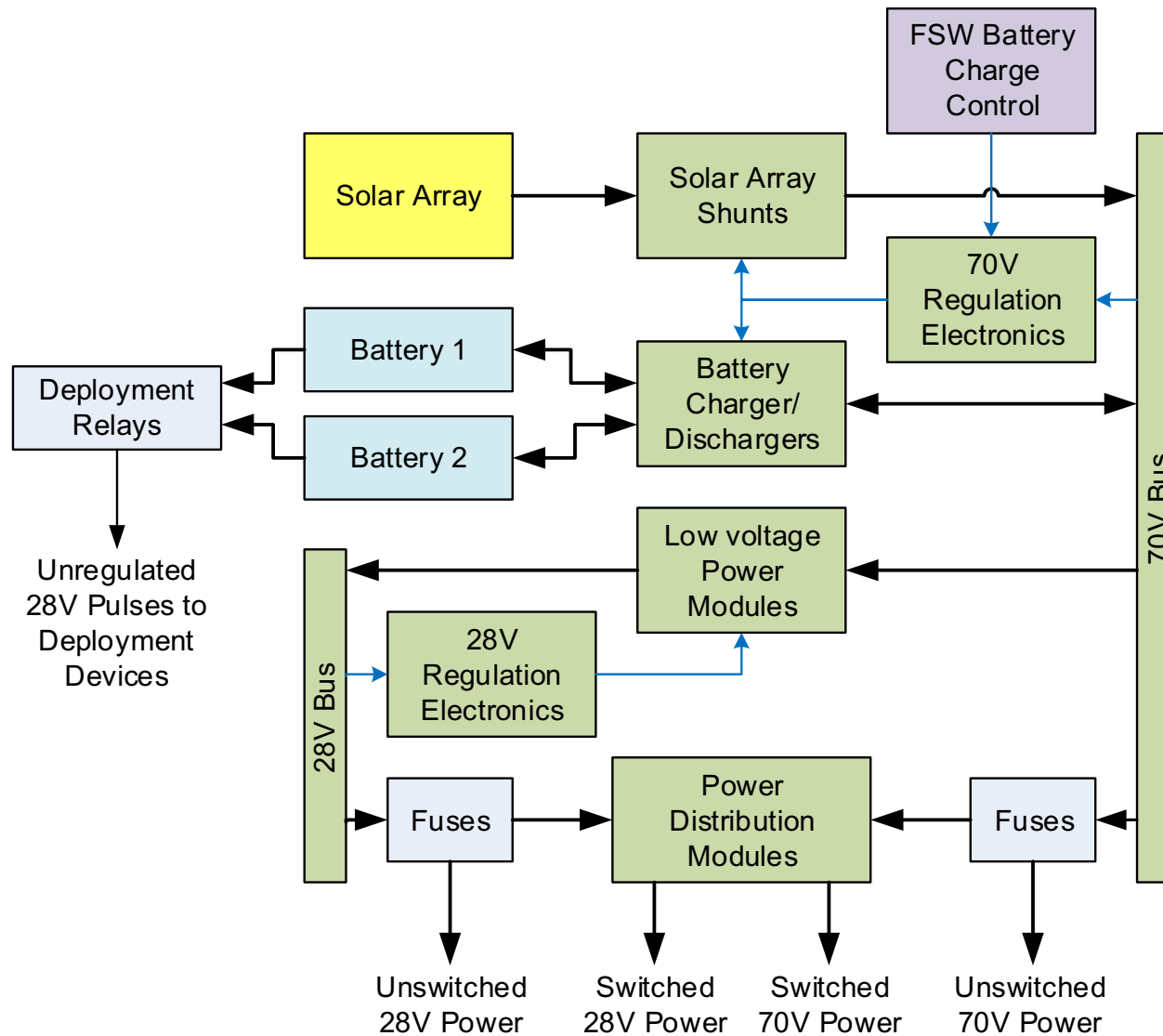


Battery Installed on Spacecraft



*Jon Tucker
2018 NASA Aerospace Battery Workshop
Huntsville, AL
Nov. 27-29, 2018*

Electrical Power Subsystem Diagram

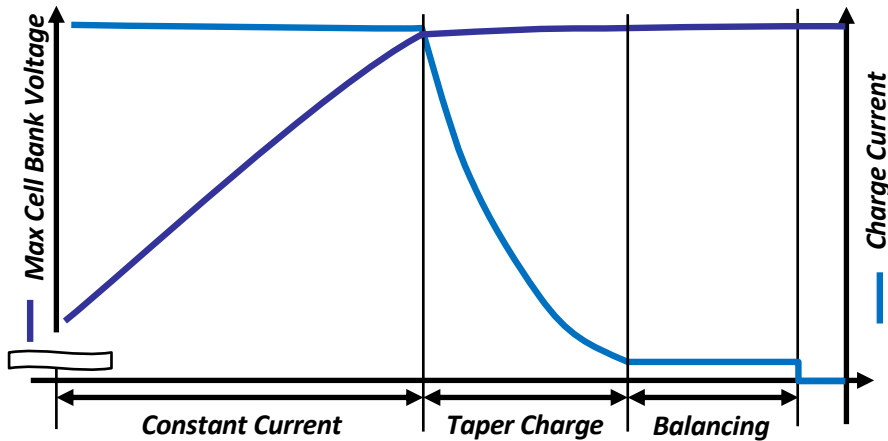


Battery Charge Control and SOC Profile



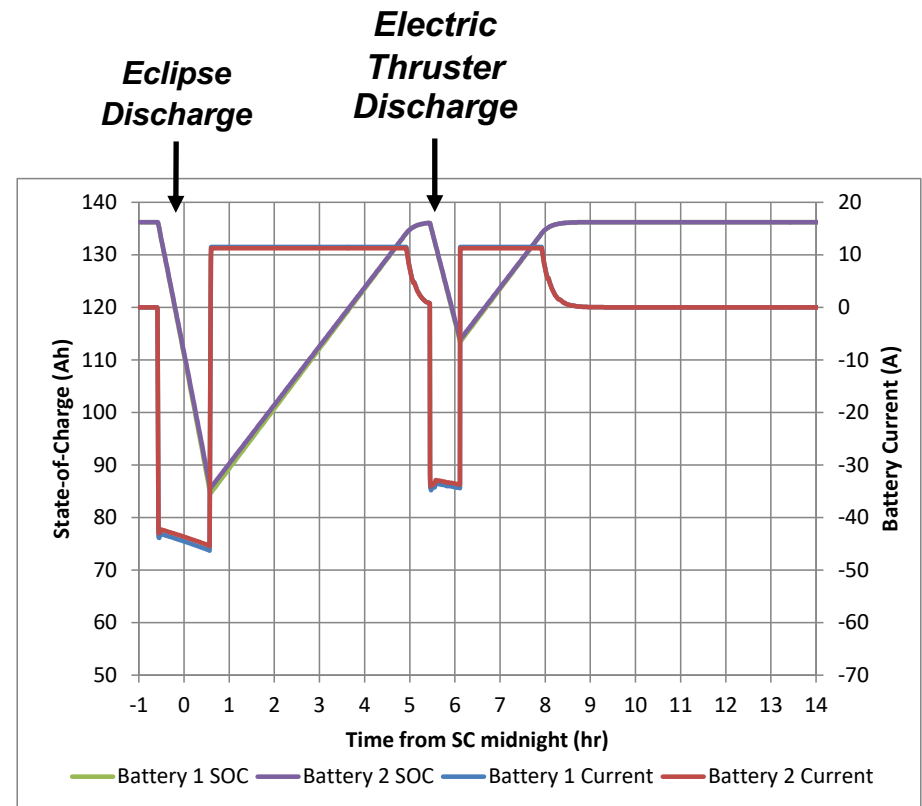
LOCKHEED MARTIN

Charge Control



- **Charge control uses a constant current/constant voltage approach**
 - Constant current at $C_{br}/13hr$ until cell voltage reaches end-of-charge set point
 - Constant voltage (taper charge) until current drops to approx. $C_{br}/210hr$
- **Balancing performed at end of recharge; current = $C_{br}/210hr$**

State-of-Charge Profile



Life Test Description



LOCKHEED MARTIN 

- **Flight-like charge control and balancing**
- **Real-time eclipse season cycling**
 - Eclipse season is 44 days; Eclipse discharge once per day
 - Eclipse duration varies over the season from a few minutes to 70 minutes
 - Average eclipse discharge current for longest eclipse = 73 A
 - Max eclipse discharge = 75% C_{bn} (85 Ah out)
 - Electric thruster discharge once every four days, DOD = 36% C_{bn} (41 Ah out)
 - Average electric thruster discharge current = 28 A
- **Accelerated solstice season cycling**
 - Accelerated solstice season is 11 to 17 days
 - Two electric thruster discharges per day, DOD = 36% C_{bn} (41 Ah out)
 - Average electric thruster discharge current = 28 A
- **End-of-charge voltage (EOCV) increased over life**
 - BOL is 3.95 V/cell bank, EOL is 4.05 V/cell bank
- **Battery environment held at 15°C throughout test**

Jon Tucker

2018 NASA Aerospace Battery Workshop

Huntsville, AL

Nov. 27-29, 2018

Life Test Capacity and Impedance Results



Test Condition*	Capacity (Ah) †	Cell Impedance (mΩ) ‡
Final acceptance test at Saft	136.22	3.25
Baseline just before life test cycling began	139.87	3.13
After 4 eclipse/solstice seasons	138.96	3.29
After 10 eclipse/solstice seasons	140.31	3.58
After 20 eclipse/solstice seasons	141.80	3.89

* Capacity tests at LM used same special test equipment that is used for life test

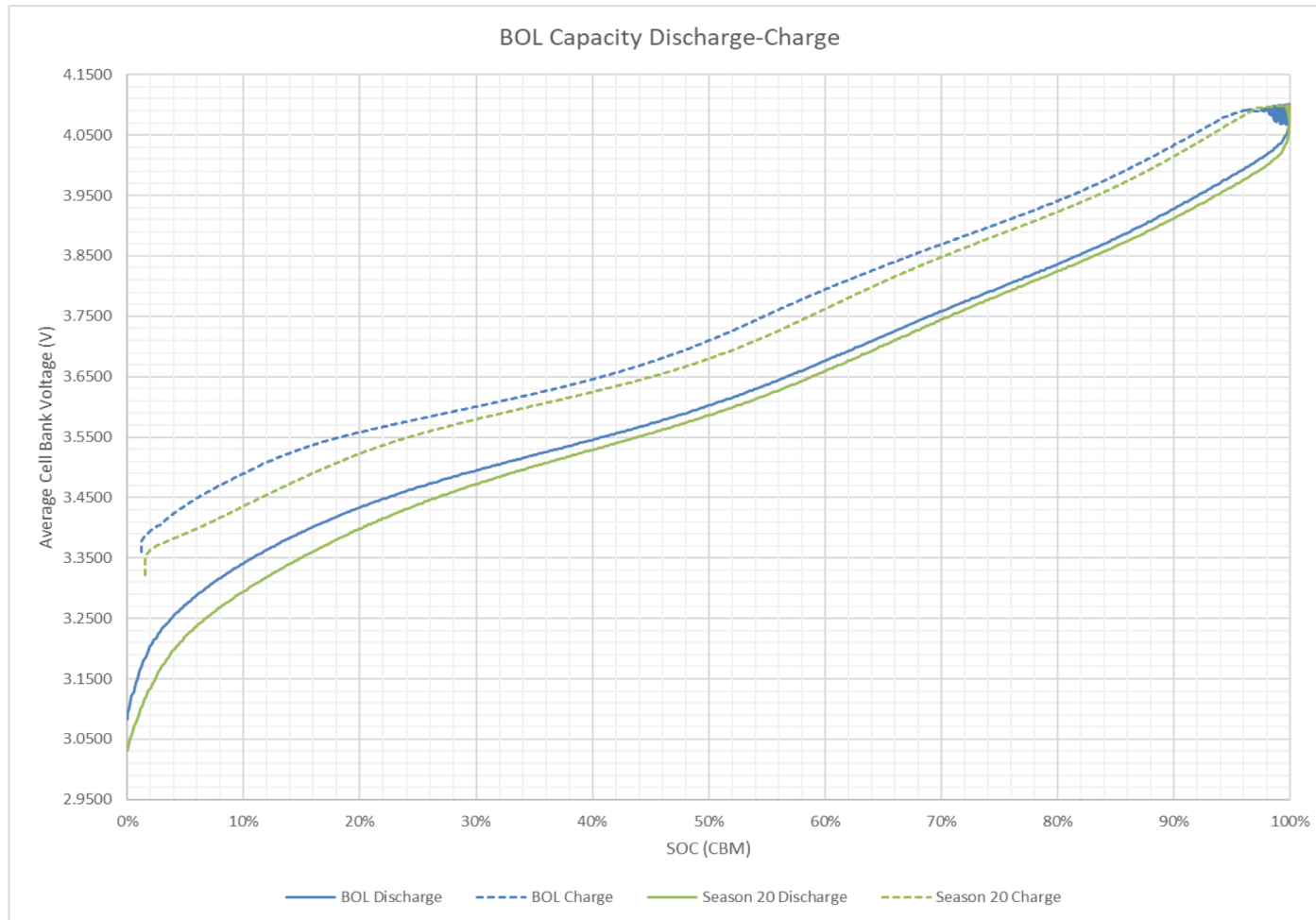
† Measured from 4.1 V to 3.0 V at Cn/2hr

Increased capacity likely due to test equipment/measurement variations

‡ Average cell impedance (ohmic and polarized) at start of capacity discharge

No Discernable Change in Capacity After 20 Seasons

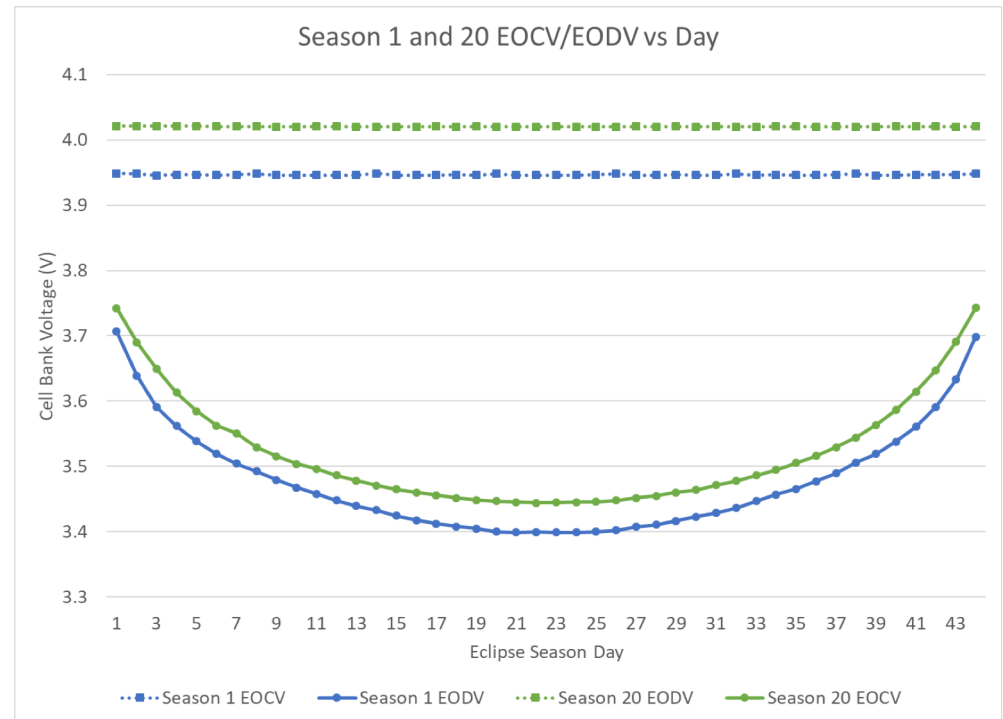
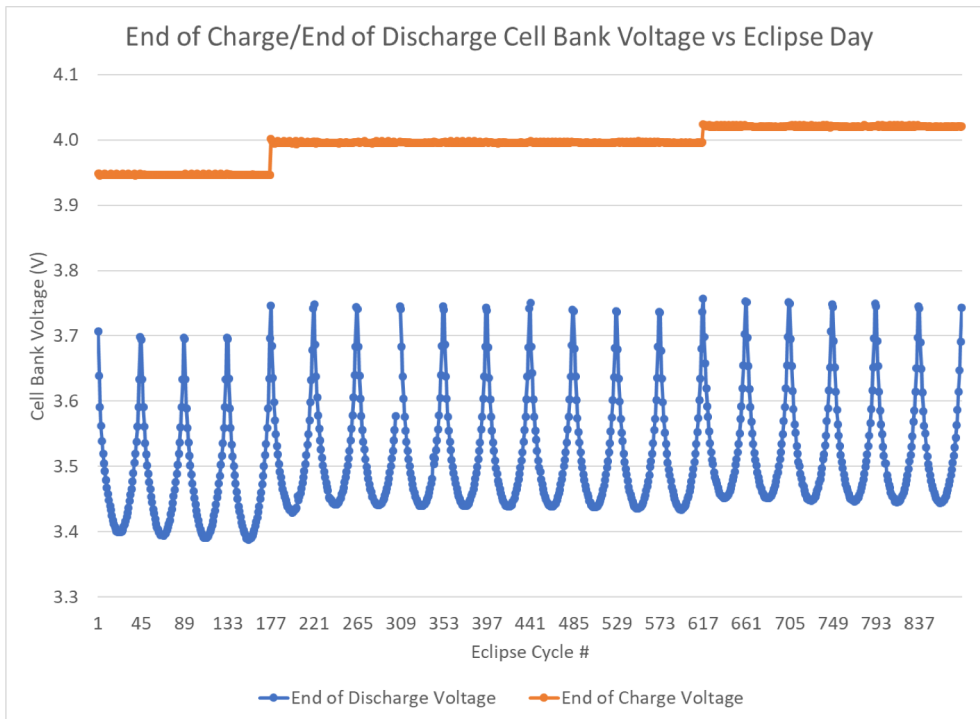
Charge/Discharge Voltage



Voltage fade due to impedance increase

Jon Tucker
2018 NASA Aerospace Battery Workshop
Huntsville, AL
Nov. 27-29, 2018

Max/Min Cell Bank Voltage



EOCV increases negate voltage fade

Jon Tucker
2018 NASA Aerospace Battery Workshop
Huntsville, AL
Nov. 27-29, 2018

Workhorse Battery Characteristics



LOCKHEED MARTIN 

- **Used in spacecraft testing from 2014 April to present.**
 - Flight batteries installed shortly before spacecraft ships to launch site
- **Cells formed in 2011 March, same lot as life test battery.**
- **One battery was exposed to proto-flight testing.**
 - Higher vibration level and more extreme thermal cycling than acceptance
 - Testing perform from 2013 November to 2014 April
- **Other battery was exposed to qualification testing.**
 - Higher vibration level and more extreme thermal cycling than proto-flight
 - Testing perform from 2013 August to 2014 January
- **Capacity test performed in 2018 February, 7 years after cell formation.**

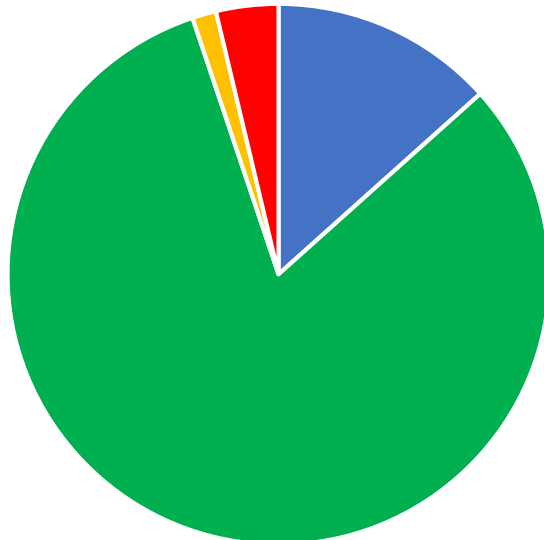
Workhorse Battery Utilization and Capacity



LOCKHEED MARTIN

Workhorse Battery Utilization

Fraction of time at various cell voltages and temperatures



■ 3.65 V, 0 C ■ 3.65 V, 20 C
■ 3.95 V, 20 C ■ 4.05 V, 15 C

Work-Horse Battery Performance

- Workhorse cells formed in March 2011.
- Average cell acceptance 20 °C Capacity: 45.64 Ah
 - Cell acceptance testing 6-2011 – 12-2011
- Qual Battery 20 °C Capacity:
 - Expected after cell testing: 137.2 Ah
 - January 2014: 138.2 Ah
 - February 2018: 140.3 Ah
- I&T Battery 20 °C Capacity
 - Expected after cell testing: 136.7 Ah
 - March 2014: 136.5 Ah
 - February 2018: 138.2 Ah

No capacity loss after 6.5 years

VL48E Cell Chemistry Performance



LOCKHEED MARTIN 

- **Capacity increase expected during early seasons.**
 - Due to soaking of electrolyte into electrode, and repartition of binder on positive electrode.
- **Capacity is expected to fade by season 20 – observed increase likely due to measurement accuracy.**
 - 15-year capacity fade should be less than 1%.
- **Discharge voltage is decreasing as expected due to impedance increase over life.**
- **Expected energy decay is 5% to 6% after 15-year mission.**
 - Depends on battery storage voltage & charge voltage at solstice/eclipse.
 - Anode/electrolyte designed for negligible SEI decay during 15-year GEO mission.
 - Cathode formulized to minimize the cathode capacity fade, by providing a good electric conduction network and protected NCA particle surface.

Conclusions



LOCKHEED MARTIN

• GOES-R Series Lithium-Ion Life Test Battery Results

- Accelerated GEO testing: 20 seasons of 30 complete
 - Real-time eclipse seasons of 44 days each.
 - Maximum eclipses at 75% DOD of C_{bn} (113.5 Ah).
 - Accelerated solstice seasons of 11-17 days.
- No degradation in 20 °C capacity after 20 seasons of accelerated GEO
 - BOL 20 °C Capacity: 139.9 Ah
 - 20-season accelerated GEO 20 °C capacity: 141.8 Ah
 - 1.36% delta due to test equipment accuracy and temperature control.

• GOES-R Series Work-Horse Battery Performance

- No degradation in 20 °C capacity 6.5 years after cell acceptance testing.
 - Four years of ground operations at ambient.
 - Majority of time (~80%) at 3.60 V – 3.65 V and 20 °C.
 - Remaining time at 3.65 V and 0 °C or 3.95 V – 4.05 V and 15 °C – 20 °C.

• Batteries/Cells Are Performing as Expected – No Concerns with Meeting 15-year Mission Life

Jon Tucker

2018 NASA Aerospace Battery Workshop

Huntsville, AL

Nov. 27-29, 2018