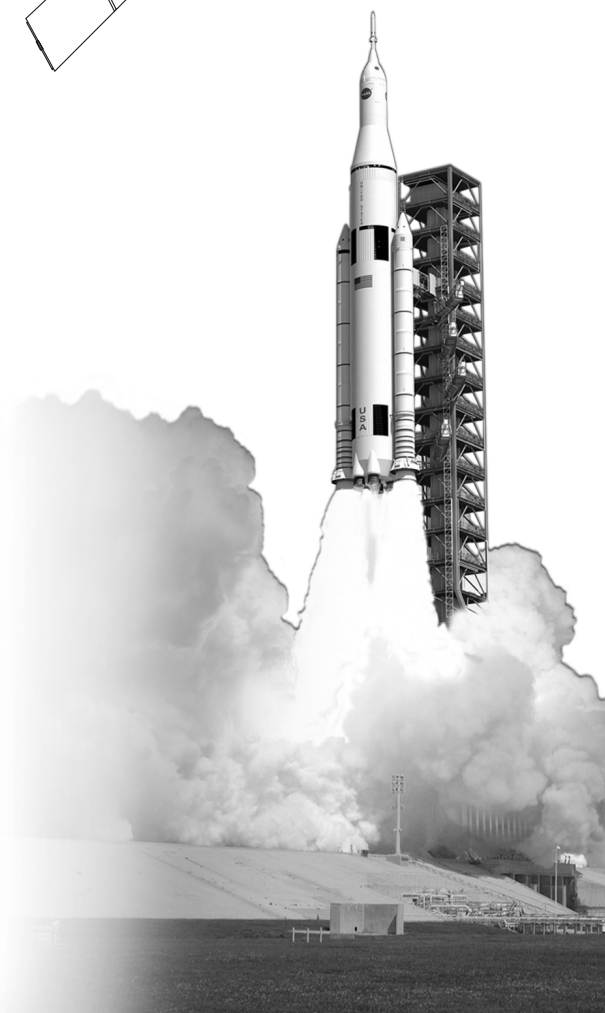
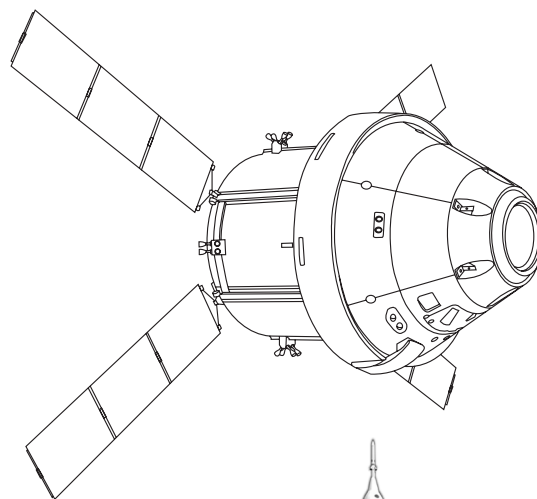




Orion Word Find

Recommended for Elementary School

- | | | |
|-----------|------------|---------------|
| ASTEROID | HUMAN | SOLAR SYSTEM |
| ASTRONAUT | MARS | SPACEFLIGHT |
| CAPSULE | NASA | TEAMWORK |
| CREW | ORION | TEST |
| EXPLORE | PARACHUTES | UNITED STATES |
| ENGINEER | SAFETY | VEHICLE |
| FUTURE | SCIENTIST | |



A M S T A U T U A N O R T S A
S E A H U N T E R N M D B O D
T N F U T U R E Z M U E E L F
E G E H J U M X N K N L K A L
R I T D O W N P O B I C K R T
O N Y N U N R L I N T I C S K
I E E D A R O O R N E H O Y R
D E M M A S T R O I D E J S O
K R U M S C A E F X S V H T W
O H S C I E N T I S T O O E M
A R S M T I M E G M A R S M A
S P A C E F L I G H T W O O E
A C E W Y U P Q A W E T S E T
C A P S U L E P S R S P C F E
A S T R P A R A C H U T E S M