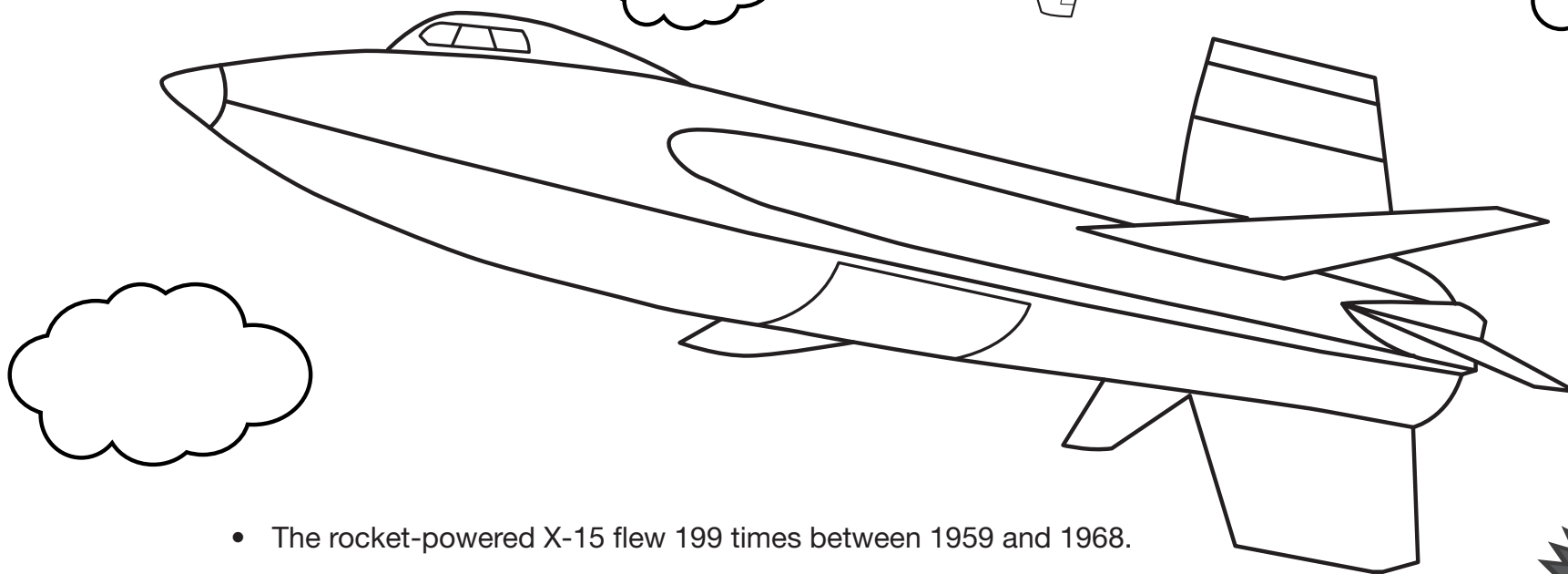
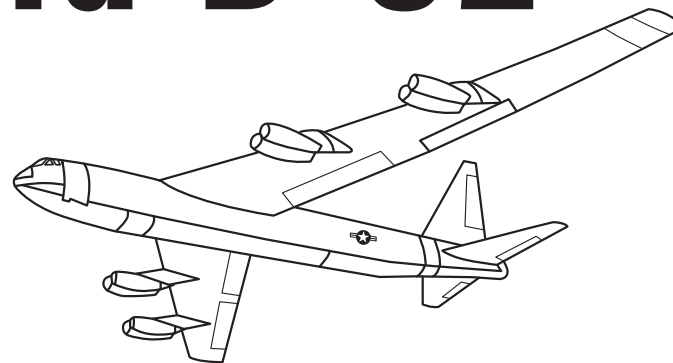


X-15 and B-52



- The rocket-powered X-15 flew 199 times between 1959 and 1968.
- A B-52 bomber carried the X-15 into the sky and then dropped it to begin the X-15's flight.
- Lessons learned from flying the X-15 helped NASA design the Space Shuttle.

